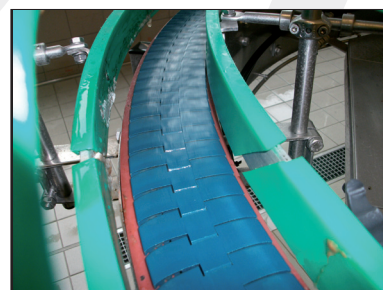
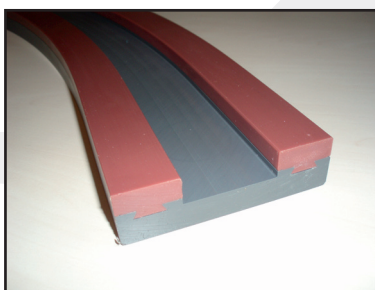
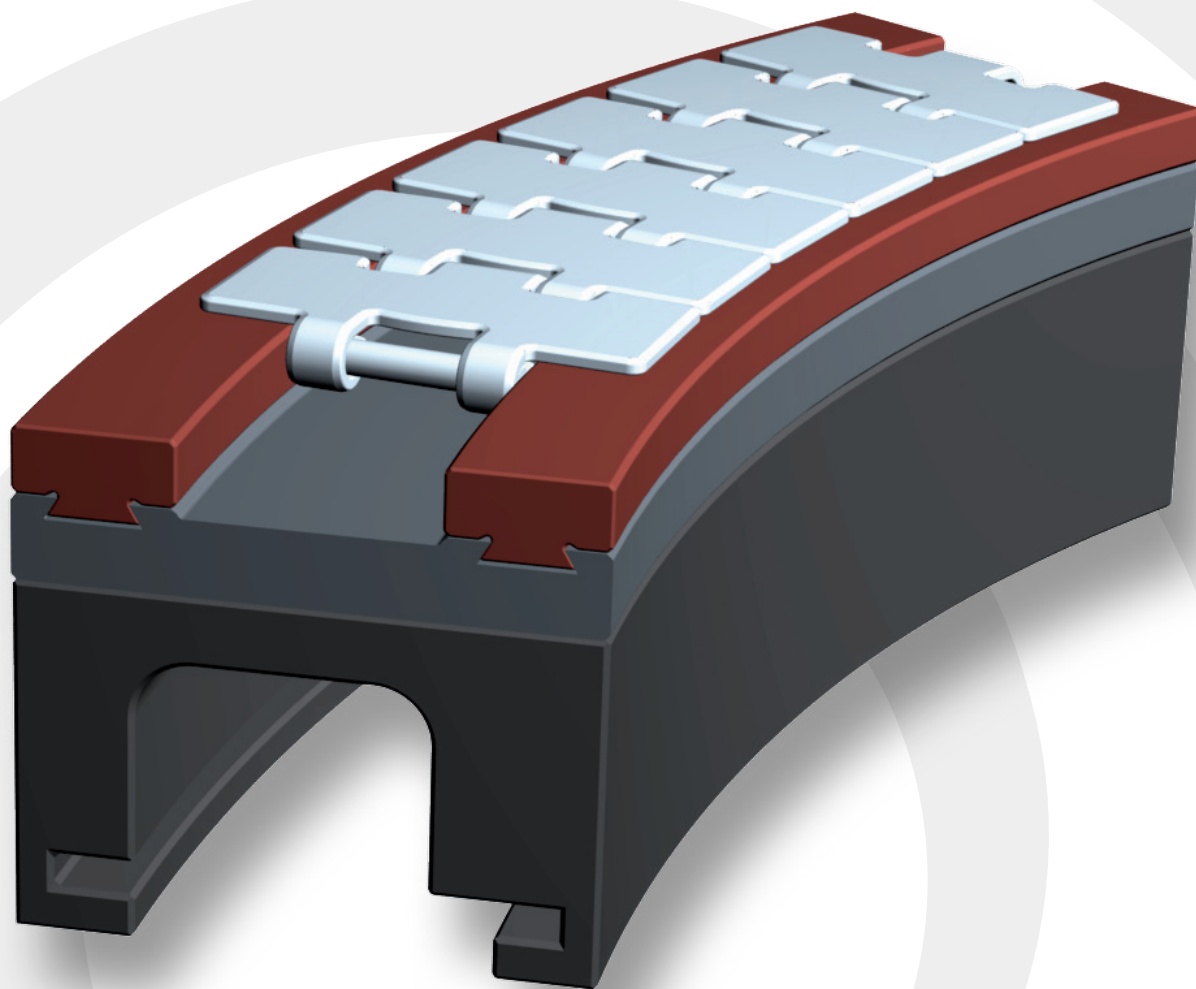


# Rexnord Magnetflex® Combi-X Corner tracks

New Generation Magnetic Corner tracks  
from the inventors of the legendary Magnetflex® system



FlatTop Europe

**REXNORD**

# Rexnord Magnetflex® Combi-X Corner tracks

## From the inventors of the Magnetflex® Combi Curves

The Rexnord® Magnetflex® corner track system, introduced in 1979, has become the worldwide standard in the beverage industry. The great advantages of this system have made it the choice

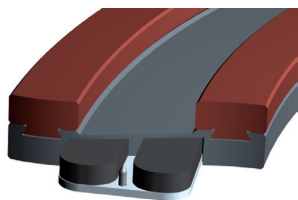
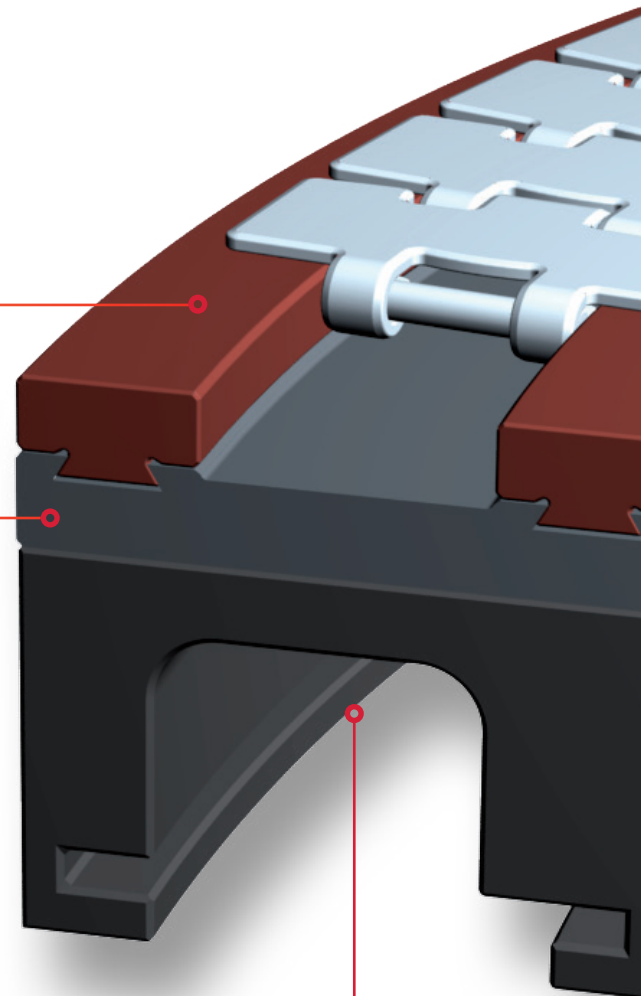
of the world leading OEM's and End Users. It is a Combi system for both plastic and steel chains. Magnets underneath the track hold the chain down in a reliable way.

## ULF Ultra Low Friction guides

ULF (Ultra Low Friction) integrated wearstrips for minimum friction and long wear life. RAM extruded 6 million "density" UHMWPE combined with special lubricants results in lower friction and longer guide wear life, which means lower maintenance cost.

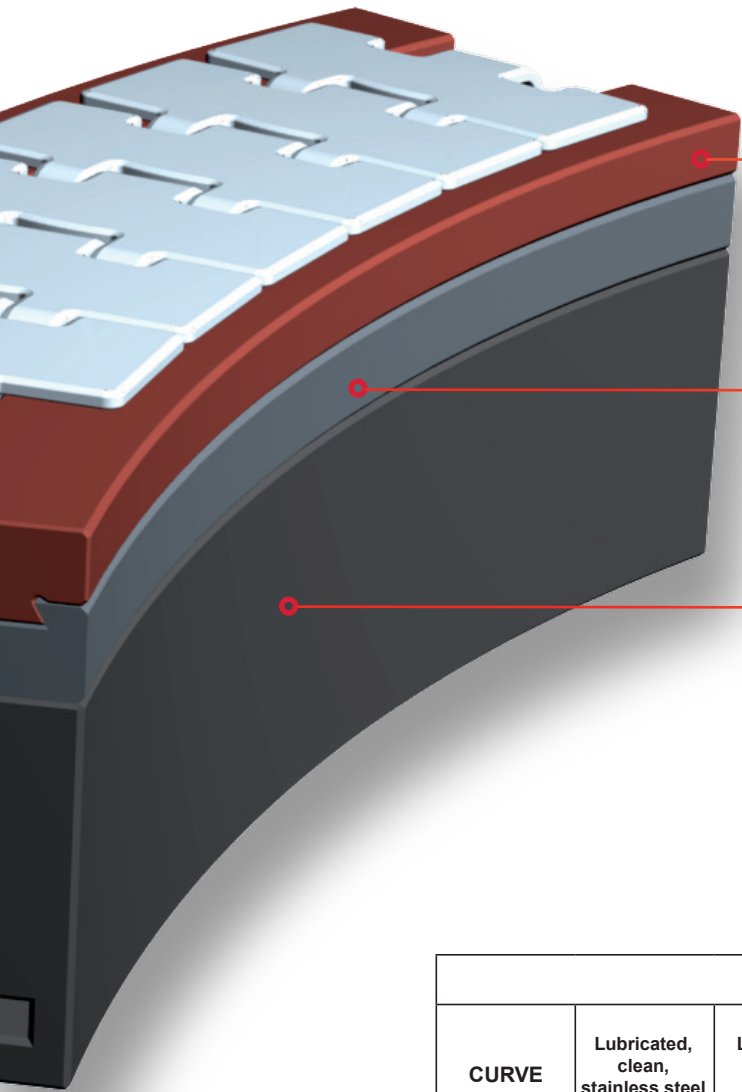
## New Generation Hybrid construction

Patented combination of standard Resin basematerial combined with high performance ULF (Ultra Low Friction) guiding strips makes optimum use of different materials. Guiding strips are permanently fixed to the basepart.

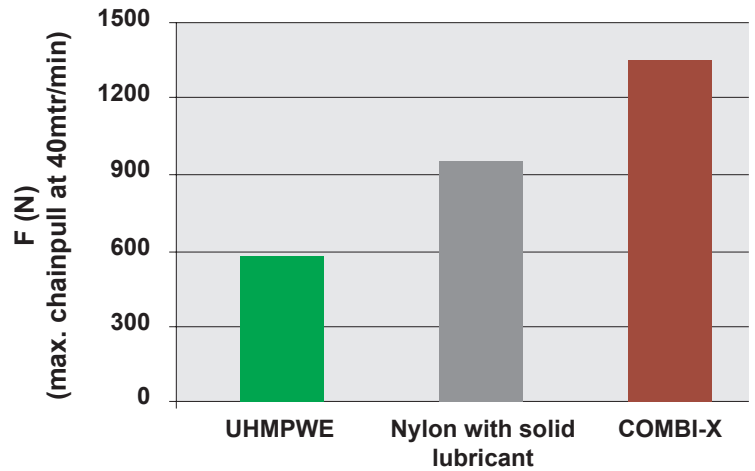


## Classic Magnet Package

The Combi-X Magnetflex® corner are equipped with the proved classic Rexnord Magnetic package, which consists of 2 strong Magnets combined with a Stainless Steel plate to ensure optimum force to hold the chain down.



## PV-Limit



## High PV-limit

The Magnetflex® Combi-X has improved PV-properties with respect to the original Rexnord Nylatron curve material. This means the curves can be applied in high speed (dry running) applications.

## Suitable for many application

The Magnetflex® Combi-X curves can be applied in Dry run & Lubricated conveyors. The corner tracks can be used in combination with Metal TableTop, Plastic TableTop as well as 1050-1060-1055 chainbelts.

## Machined Resin Basepart

The corner track basepart is CNC machined from sheet, made out of chemical resistant polymer, also characterized by high stiffness and good noise absorbing property. The accurate surface finishing allows the easy cleanability too.

## Product execution & Interchangability

The new Combi-X Magnetflex® Corner tracks are fully interchangeable with existing Magnetflex® corner tracks.

APPLICATION							
CURVE MATERIAL	Lubricated, clean, stainless steel chains, plastic chains	Lubricated, abrasive, stainless steel chains	Lubricated, abrasive, plastic chains	Dry running, low speed, abrasive, steel chains	Dry running, low speed, clean, plastic chains	Dry running, high speed, clean, plastic chains	Dry running, high speed, abrasive, plastic chains
Combi-X	Best Choice	Optional	Best Choice		Best Choice	Best Choice	Optional
Combi-A	Best Choice				Best Choice		
Combi-L		Optional	Best Choice		Optional	Optional	Optional
Combi-S				Optional		Best Choice	Best Choice
Combi-G		Best Choice		Best Choice			

Best Choice  
Optional

Magnetflex® Combi-X Corner Tracks

1991

CIP Cleaning in place  
Magnetflex® for Plastic TableTop

1992

Combi-S material

1992

Combi-G material

2003

Combi-L material

2009

Tubular Return

2010

# Available Curve Executions

The new **Combi-X** Magnetflex® Corner tracks are available in a wide variety of executions and suitable for Metal TableTop, Plastic TableTop and 1050/1060/1055 series chainbelts. In the table below, the available executions can be found.

Nr. of tracks	1	2	3	4	5	6
Width	100 mm	185 mm	170 mm	355 mm	440 mm	525 mm
<b>VERSION CX6</b>						
15°	704.41.16	704.41.17	704.41.18	704.41.19	704.41.20	704.41.21
30°	704.41.31	704.41.32	704.41.33	704.41.34	704.41.35	704.41.36
45°	704.41.46	704.41.47	704.41.48	704.41.49	704.41.50	704.41.51
60°	704.41.61	704.41.62	704.41.63	704.41.64	704.41.65	704.41.66
75°	704.41.76	704.41.77	704.41.78	704.41.79	704.41.80	704.41.81
90°	704.41.01	704.41.02	704.41.03	704.41.04	704.41.05	704.41.06
<b>VERSION CXC6</b>						
15°	614.10.16	614.10.17	614.10.18	614.10.19	614.10.20	614.10.21
30°	614.10.31	614.10.32	614.10.33	614.10.34	614.10.35	614.10.36
45°	614.10.46	614.10.47	614.10.48	614.10.49	614.10.50	614.10.51
60°	614.10.61	614.10.62	614.10.63	614.10.64	614.10.65	614.10.66
75°	614.10.76	614.10.77	614.10.78	614.10.79	614.10.80	614.10.81
90°	614.10.01	614.10.02	614.10.03	614.10.04	614.10.05	614.10.06
<b>VERSION CXB6</b>						
15°	604.41.16	604.41.17	604.41.18	604.41.19	604.41.20	604.41.21
30°	604.41.31	604.41.32	604.41.33	604.41.34	604.41.35	604.41.36
45°	604.41.46	604.41.47	604.41.48	604.41.49	604.41.50	604.41.51
60°	604.41.61	604.41.62	604.41.63	604.41.64	604.41.65	604.41.66
75°	604.41.76	604.41.77	604.41.78	604.41.79	604.41.80	604.41.81
90°	604.41.01	604.41.02	604.41.03	604.41.04	604.41.05	604.41.06

For other dimension please contact your technical support representative.

---

**WORLDWIDE CUSTOMER SERVICE**