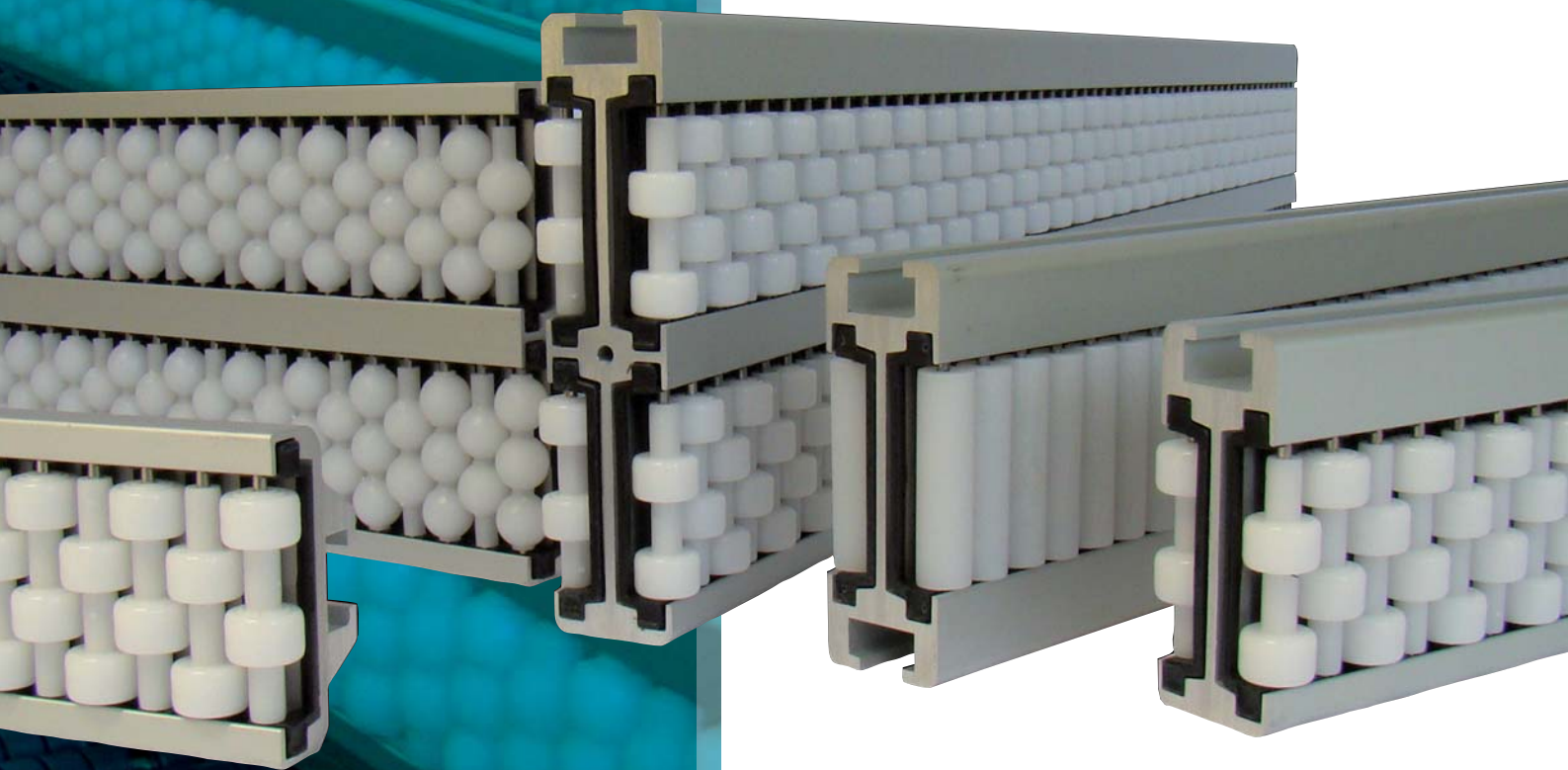


# Product Guides

Conveyor Components

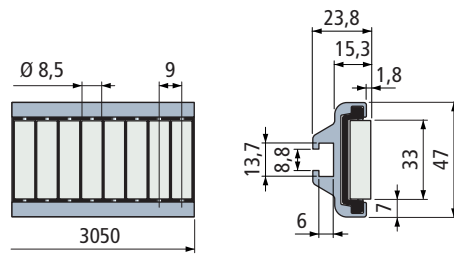
## Roller Guides



Part. **S0757**



■ Roller side guides with cylinder rollers

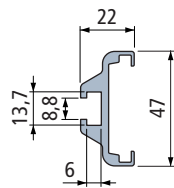


Cylinder rollers material	Code	Weight kg/m
Polyethylene PE ( white )	<b>645083</b>	1,20

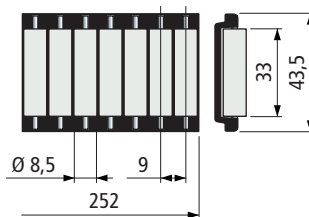
- Material : metal profile in anodized aluminium, rollers module in acetal POM ( black ), roller pins in ferritic stainless steel.
- Min. curvature radius : 250 mm.
- Standard packaging : strands 3,05 metres.
- Packaging : 2 strands.

The roller side guides can be supplied with separated components.

Metal profile



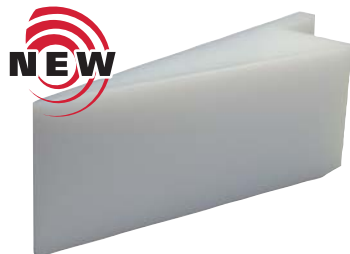
Cylinder roller module



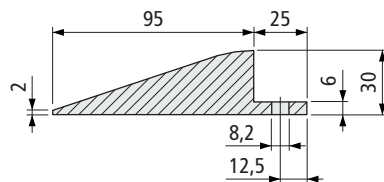
Length mm	Code	Cylinder rollers material	Code
3050	<b>607933</b>	Polyethylene PE ( white )	<b>644613</b>
6100	<b>607943</b>		

- Material : anodized aluminium.
- Weight : 0,85 Kg/m.
- Packaging : 1 strand.

Part. **S0760**



■ Separation block



Code	Weight kg
<b>613433</b>	0,058

- Material : Polyethylene PE ( white ).
- Packaging : 2 pieces.

● Best choice

● Standard

● On request : minimum quantity may apply. Consult our Customer Service for availability.

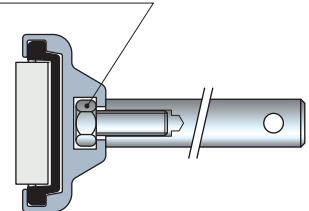
Item code for order = Part. + Code

• Characteristics Part. S0757

- Self supporting structure.
- Anodized aluminium profile.
- Quick and easy installation by standard bolts.
- Can be used straight running and sidelifing.

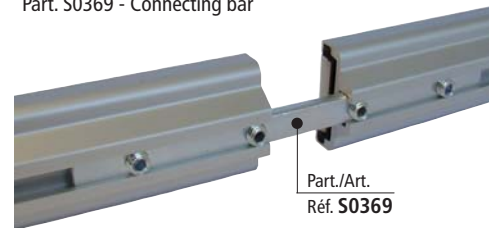
• Assembly Part. S0757

M8 hex head bolt



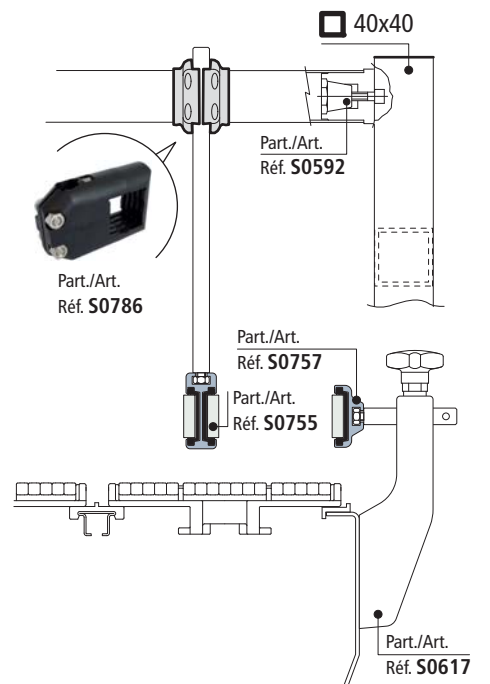
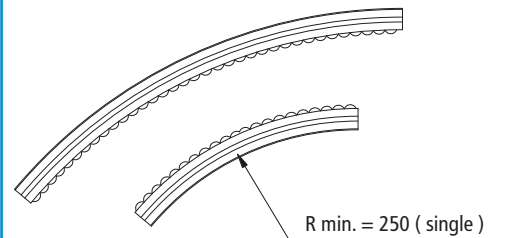
• Accessories

Part. S0369 - Connecting bar



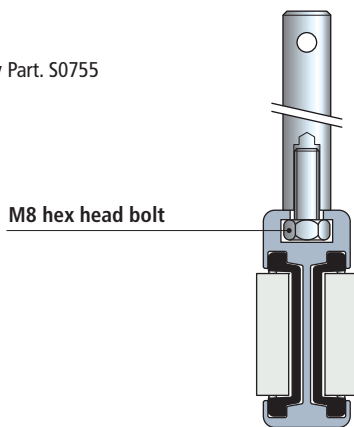
For assembly insert the guides and tighten the set screw.

• Min. curvature radius Part. S0757



- **Characteristics Part. S0755**
  - Self supporting structure.
  - Anodized aluminium profile.
  - Quick and easy installation by standard bolts.
  - Can be used straight running and sideflexing.

• **Assembly Part. S0755**

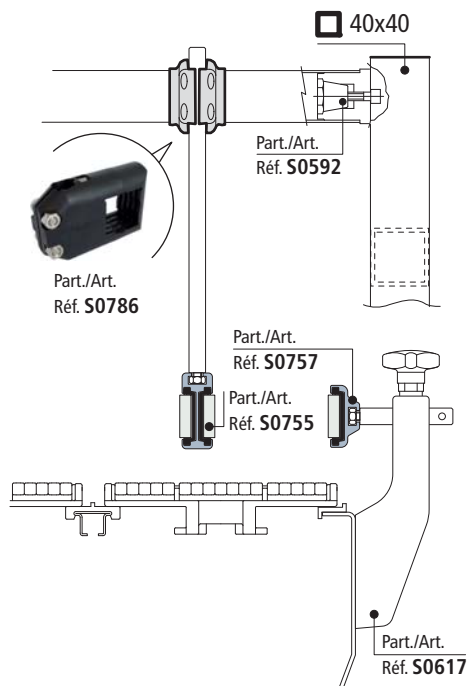
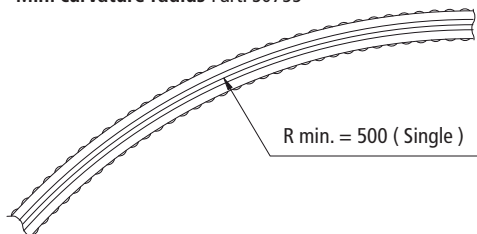


• **Accessories**

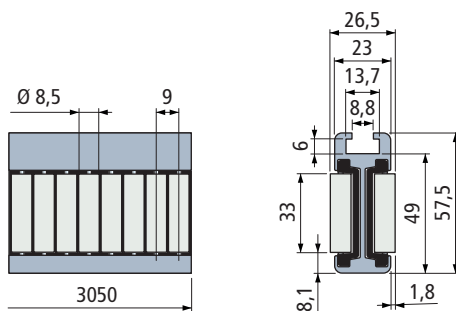
Part. S0369 - Connecting bar



• **Min. curvature radius Part. S0755**



■ **Centre guide with cylinder rollers**

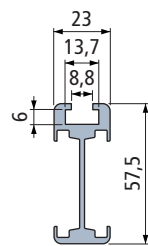


Cylinder rollers material	Code	Weight kg/m
Polyethylene PE ( white )	645103	1,75

- Material : metal profile in anodized aluminium, rollers module in acetal POM ( black ), roller pins in ferritic stainless steel.
- Min. curvature radius : 500 mm.
- Standard packaging : strands 3,05 metres.
- Packaging : 2 strands.

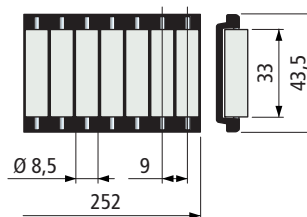
The roller side guides can be supplied with separated components.

**Metal profile**



Length mm	Code
3050	607893
6100	607903

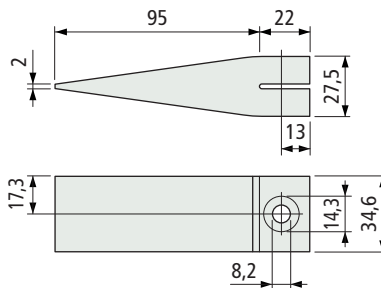
**Cylinder roller module**



Cylinder rollers material	Code
Polyethylene PE ( white )	644613

- Material : anodized aluminium.
- Weight : 1,08 Kg/m.
- Packaging : 1 strand.

■ **Separation block**



Code	Weight kg
613413	0,063

- Material : Polyethylene PE ( white ).
- Packaging : 2 pieces.

Part. **S0755**



Part. **S0759**



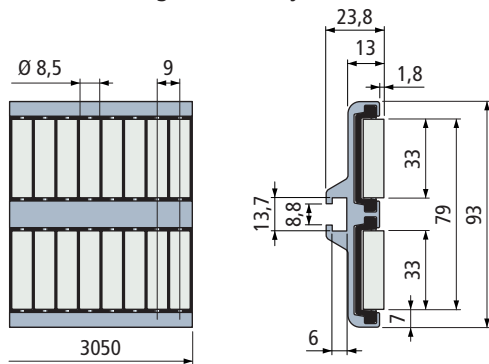
- **Best choice**
- **Standard**
- **On request** : minimum quantity may apply. Consult our Customer Service for availability.

Item code for order = Part. + Code

Part. **S0757**



■ Roller side guides with cylinder rollers

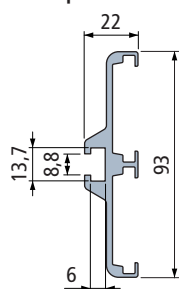


Cylinder rollers material	Code	Weight kg/m
Polyethylene PE ( white )	645093	2,00

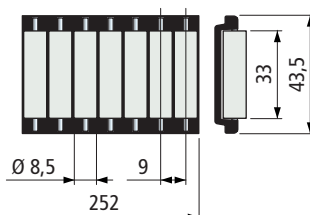
- Material : metal profile in anodized aluminium, rollers module in acetal POM ( black ), roller pins in ferritic stainless steel.
- Min. curvature radius : 500 mm.
- Standard packaging : strands 3,05 metres.
- Packaging : 2 strands.

The roller side guides can be supplied with separated components.

Metal profile



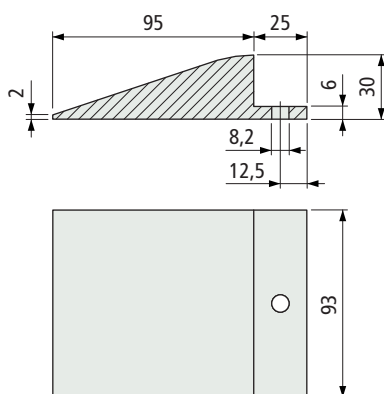
Cylinder roller module



Length mm	Code	Cylinder rollers material	Code
3050	607953	Polyethylene PE ( white )	644613
6100	607963		

- Material : anodized aluminium.
- Weight : 1,36 Kg/m.
- Packaging : 1 strand.

■ Separation block



Code	Weight kg
613443	0,120

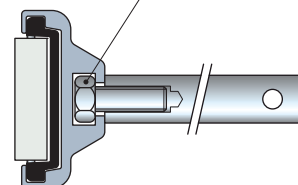
- Material : Polyethylene PE ( white ).
- Packaging : 2 pieces.

• Characteristics Part. S0757

- Self supporting structure.
- Anodized aluminium profile.
- Quick and easy installation by standard bolts.
- Can be used straight running and sideliflexing.

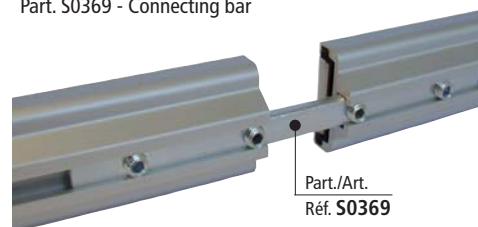
• Assembly Part. S0757

M8 hex head bolt



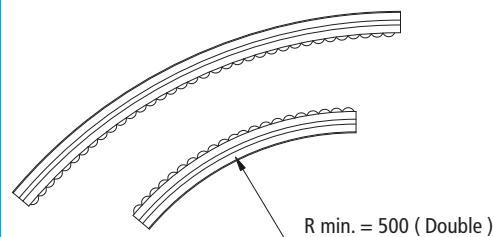
• Accessories

Part. S0369 - Connecting bar



For assembly insert the guides and tighten the set screw.

• Min. curvature radius Part. S0757



Part. **S0760**

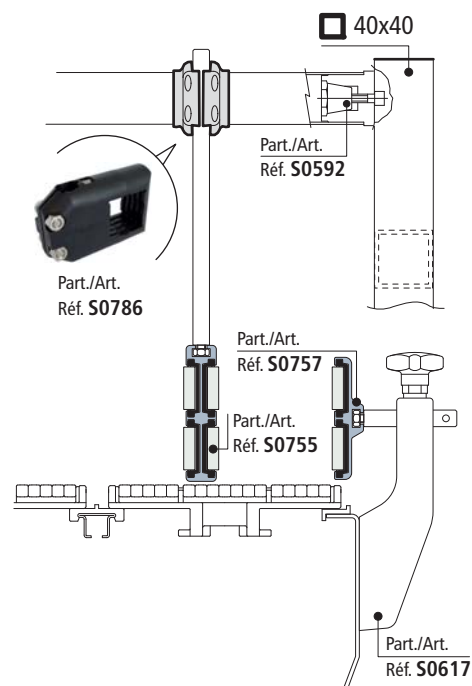


● Best choice

● Standard

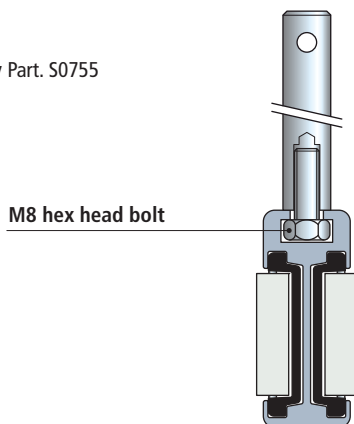
● On request : minimum quantity may apply. Consult our Customer Service for availability.

Item code for order = Part. + Code



- **Characteristics Part. S0755**
  - Self supporting structure.
  - Anodized aluminium profile.
  - Quick and easy installation by standard bolts.
  - Can be used straight running and sideflexing.

• **Assembly Part. S0755**

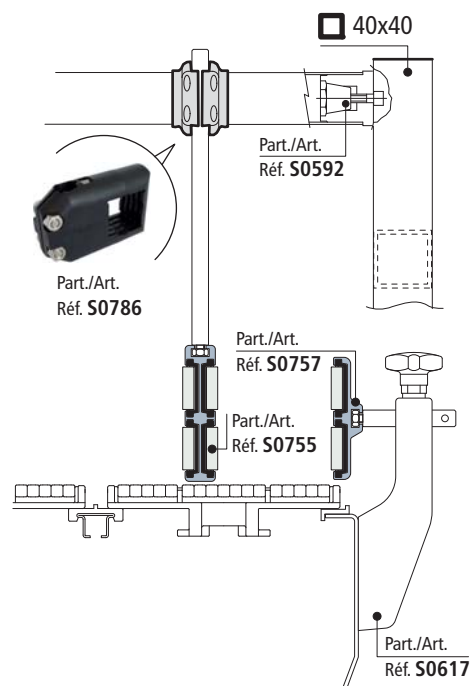
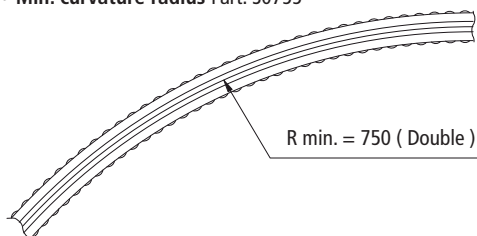


• **Accessories**

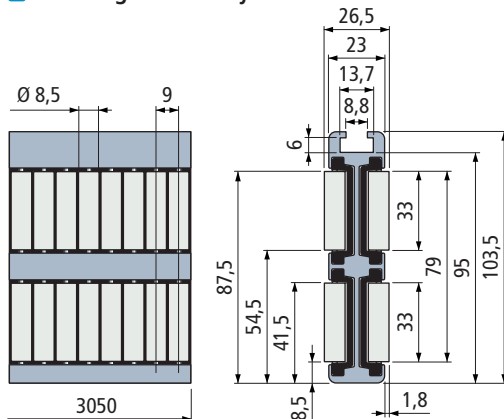
Part. S0369 - Connecting bar



• **Min. curvature radius Part. S0755**



■ **Centre guide with cylinder rollers**

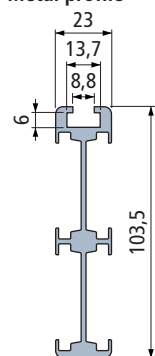


Cylinder rollers material	Code	Weight kg/m
Polyethylene PE ( white )	645113	3,00

- Material : metal profile in anodized aluminium, rollers module in acetal POM ( black ), roller pins in ferritic stainless steel.
- Min. curvature radius : 750 mm.
- Standard packaging : strands 3,05 metres.
- Packaging : 2 strands.

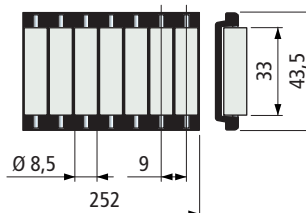
The roller side guides can be supplied with separated components.

**Metal profile**



Length mm	Code
3050	607913
6100	607923

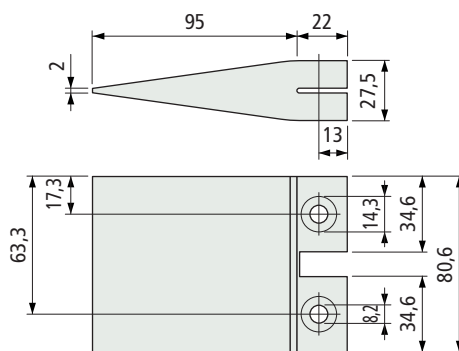
**Cylinder roller module**



Cylinder rollers material	Code
Polyethylene PE ( white )	644613

- Material : anodized aluminium.
- Weight : 1,70 Kg/m.
- Packaging : 1 strand.

■ **Separation block**



Code	Weight kg
613423	0,124

- Material : Polyethylene PE ( white ).
- Packaging : 2 pieces.

Part. **S0755**



Part. **S0759**



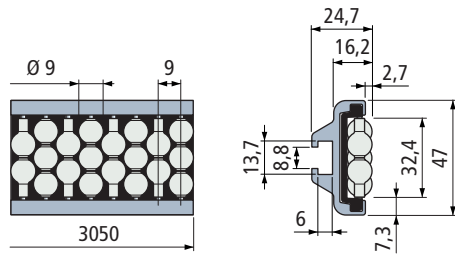
- **Best choice**
- **Standard**
- **On request** : minimum quantity may apply. Consult our Customer Service for availability.

Item code for order = Part. + Code

Part. **S0756**



■ Pearl™ roller side guide

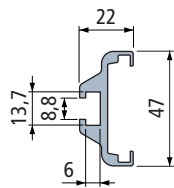


Pearl™ material	Code	Weight kg/m
Polyethylene PE ( Aubergine )	<b>645123</b>	1,15
Polyethylene PE ( white )	<b>645133</b>	

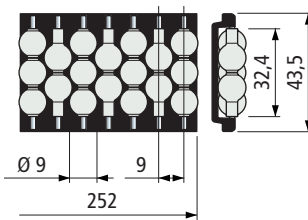
- Material : metal profile in anodized aluminium, rollers module in acetal POM ( black ), roller pins in ferritic stainless steel.
- Min. curvature radius : 250 mm.
- Standard packaging : strands 3,05 metres.
- Packaging : 2 strands.

The roller side guides can be supplied with separated components.

Metal profile



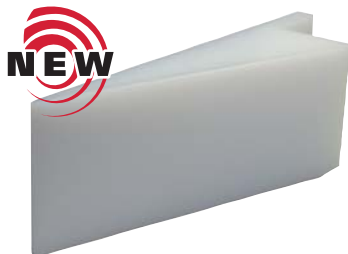
Pearls™ module



Length mm	Code	Pearl™ material	Code
3050	<b>607933</b>	Polyethylene PE ( Aubergine )	<b>644653</b>
6100	<b>607943</b>	Polyethylene PE ( white )	<b>644633</b>

- Material : anodized aluminium.
- Weight : 0,85 Kg/m.
- Packaging : 1 strand.

Part. **S0760**



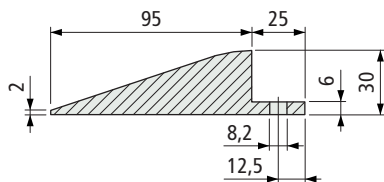
● Best choice

● Standard

● On request : minimum quantity may apply. Consult our Customer Service for availability.

Item code for order = Part. + Code

■ Separation block



Code	Weight kg
<b>613433</b>	0,058

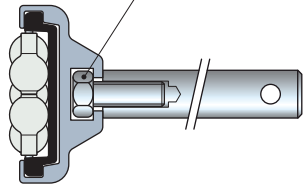
- Material : Polyethylene PE ( white ).
- Packaging : 2 pieces.

• Characteristics Part. S0756

- Self supporting structure.
- Anodized aluminium profile.
- Quick and easy installation by standard bolts.
- Can be used straight running and sideliflexing.

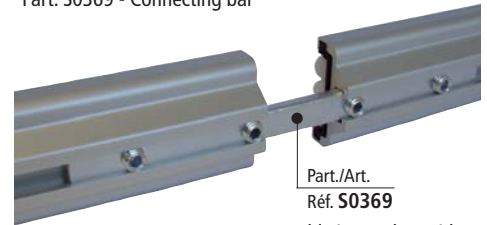
• Assembly Part. S0756

M8 hex head bolt



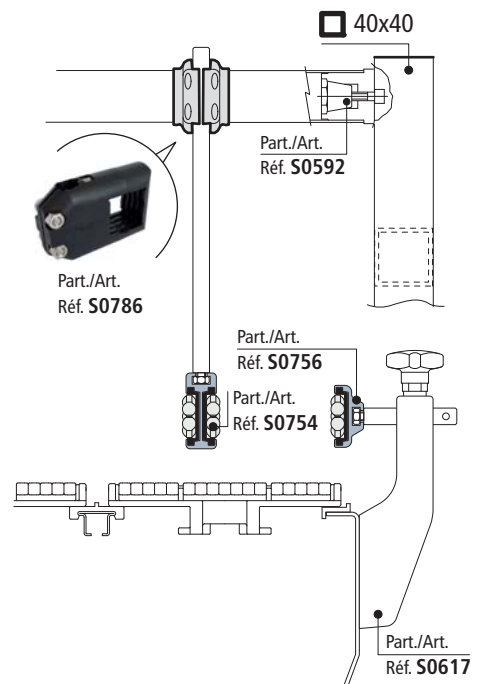
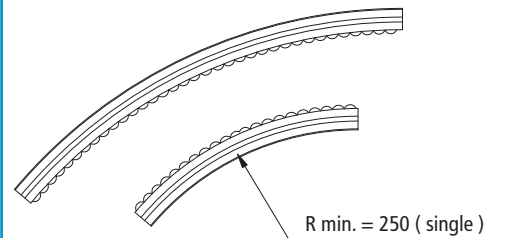
• Accessories

Part. S0369 - Connecting bar



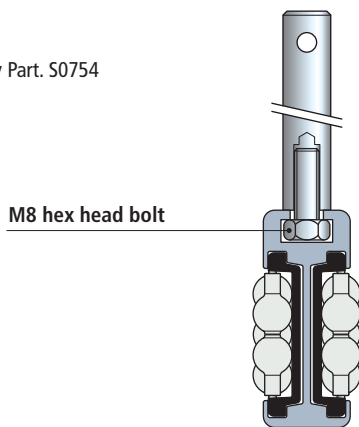
For assembly insert the guides and tighten the set screw.

• Min. curvature radius Part. S0756



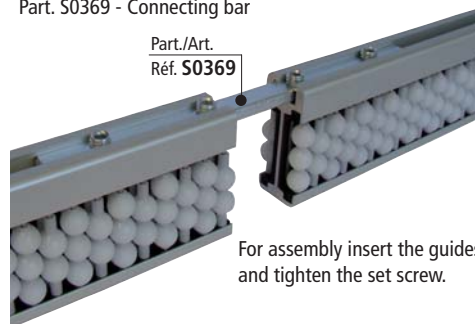
- **Characteristics Part. S0754**
  - Self supporting structure.
  - Anodized aluminium profile.
  - Quick and easy installation by standard bolts.
  - Can be used straight running and sideflexing.

• **Assembly Part. S0754**

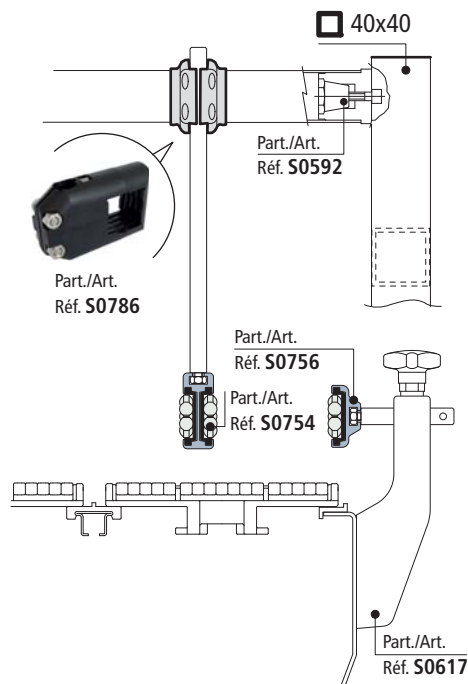
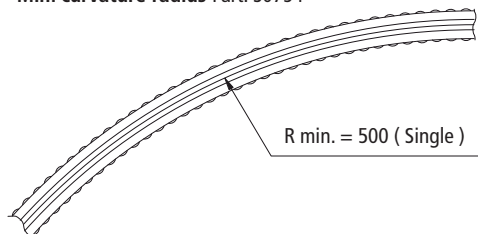


• **Accessories**

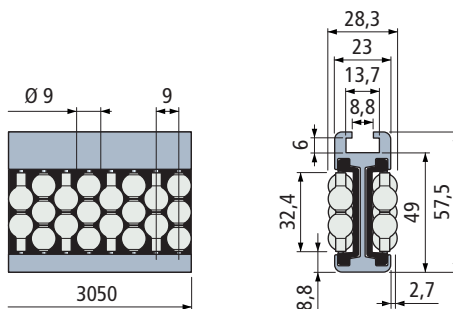
Part. S0369 - Connecting bar



• **Min. curvature radius Part. S0754**



■ **Pearls™ roller centre guide**

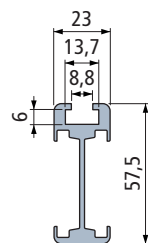


Pearl™ material	Code	Weight kg/m
Polyethylene PE ( Aubergine )	645163	1,70
Polyethylene PE ( white )	645173	

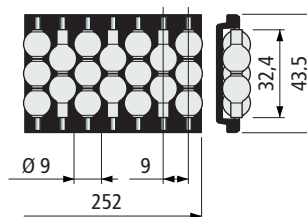
- Material : metal profile in anodized aluminium, rollers module in acetal POM ( black ), roller pins in ferritic stainless steel.
- Min. curvature radius : 500 mm.
- Standard packaging : strands 3,05 metres.
- Packaging : 2 strands.

The roller side guides can be supplied with separated components.

**Metal profile**



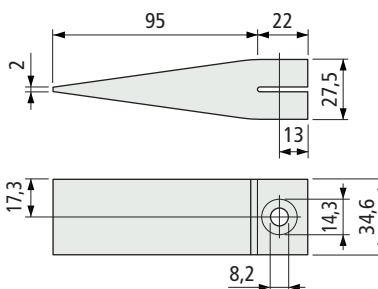
**Pearls™ module**



Length mm	Code	Pearl™ material	Code
3050	607893	Polyethylene PE ( Aubergine )	644653
6100	607903	Polyethylene PE ( white )	644633

- Material : anodized aluminium.
- Weight : 1,08 Kg/m.
- Packaging : 1 strand.

■ **Separation block**



Code	Weight kg
613413	0,063

- Material : Polyethylene PE ( white ).
- Packaging : 2 pieces.

Part. **S0754**



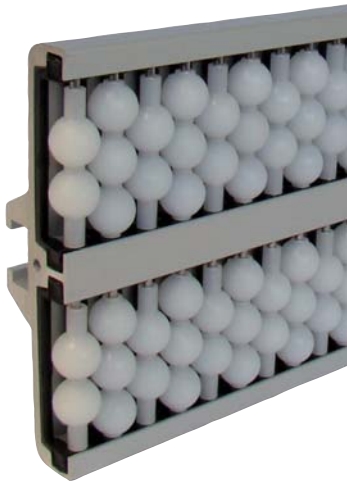
Part. **S0759**



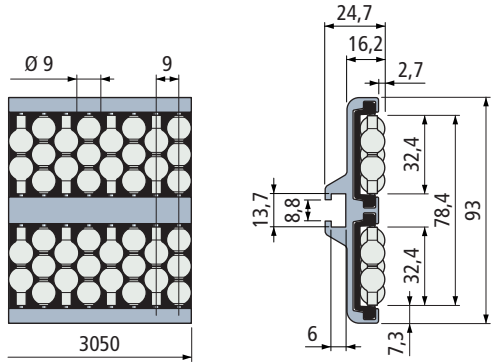
- **Best choice**
- **Standard**
- **On request** : minimum quantity may apply. Consult our Customer Service for availability.

Item code for order = Part. + Code

Part. **S0756**



■ Pearl™ roller side guide

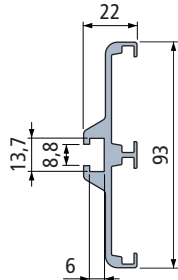


Pearl™ material	Code	Weight kg/m
Polyethylene PE ( Aubergine )	<b>645143</b>	1,95
Polyethylene PE ( white )	<b>645153</b>	

- Material : metal profile in anodized aluminium, rollers module in acetal POM ( black ), roller pins in ferritic stainless steel.
- Min. curvature radius : 500 mm.
- Standard packaging : strands 3,05 metres.
- Packaging : 2 strands.

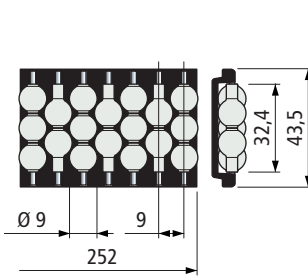
The roller side guides can be supplied with separated components.

Metal profile



Length mm	Code
3050	<b>607953</b>
6100	<b>607963</b>

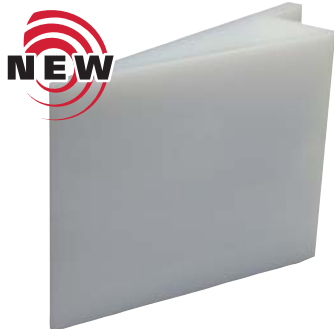
Pearls™ module



Pearl™ material	Code
Polyethylene PE ( Aubergine )	<b>644653</b>
Polyethylene PE ( white )	<b>644633</b>

- Material : anodized aluminium.
- Weight : 1,36 Kg/m.
- Packaging : 1 strand.

Part. **S0760**



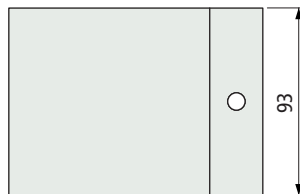
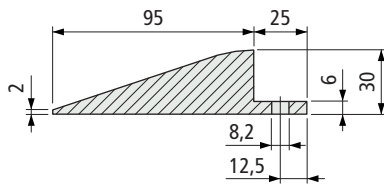
● Best choice

● Standard

● On request : minimum quantity may apply. Consult our Customer Service for availability.

Item code for order = Part. + Code

■ Separation block



Code	Weight kg
<b>613433</b>	0,120

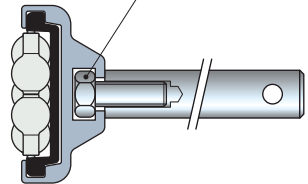
- Material : Polyethylene PE ( white ).
- Packaging : 2 pieces.

• Characteristics Part. S0756

- Self supporting structure.
- Anodized aluminium profile.
- Quick and easy installation by standard bolts.
- Can be used straight running and sideliflexing.

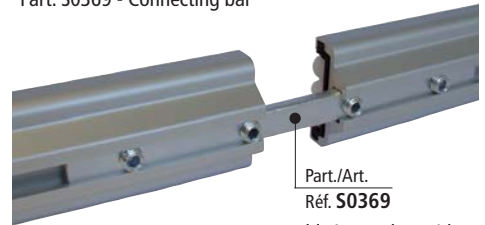
• Assembly Part. S0756

M8 hex head bolt



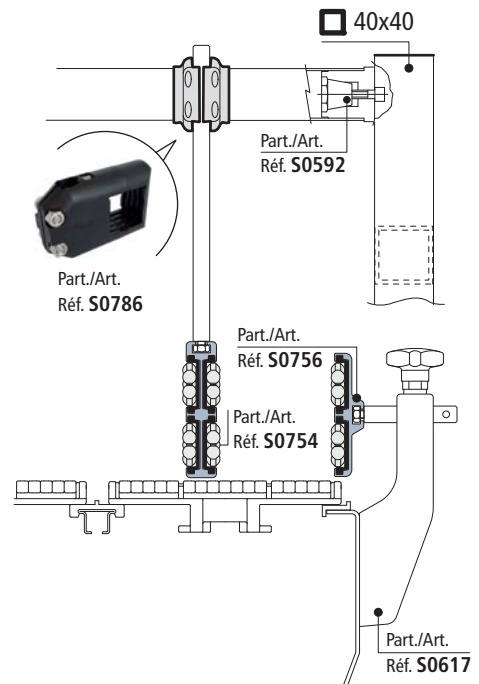
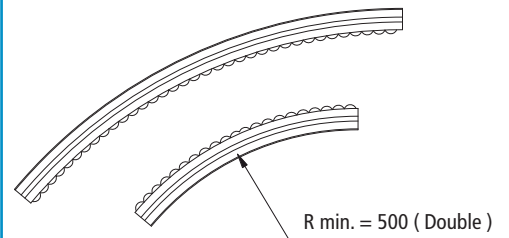
• Accessories

Part. S0369 - Connecting bar



For assembly insert the guides and tighten the set screw.

• Min. curvature radius Part. S0756

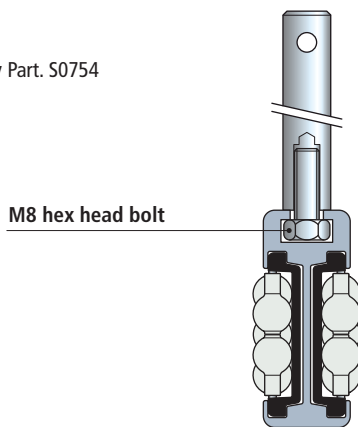




### • Characteristics Part. S0754

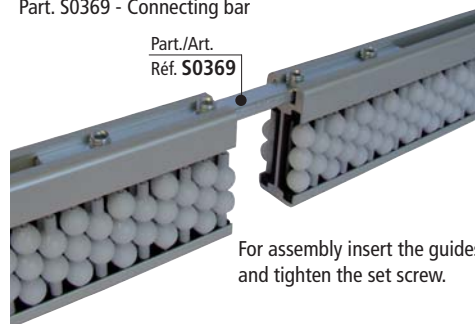
- Self supporting structure.
- Anodized aluminium profile.
- Quick and easy installation by standard bolts.
- Can be used straight running and sideflexing.

### • Assembly Part. S0754

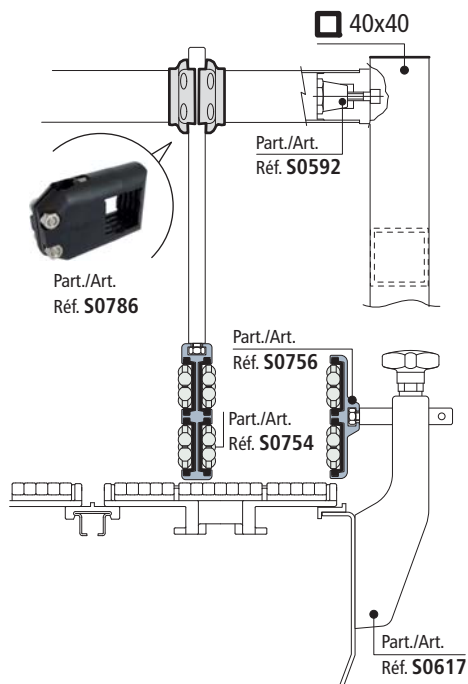
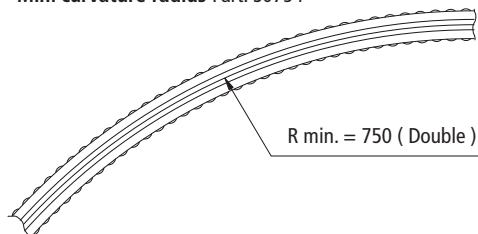


### • Accessories

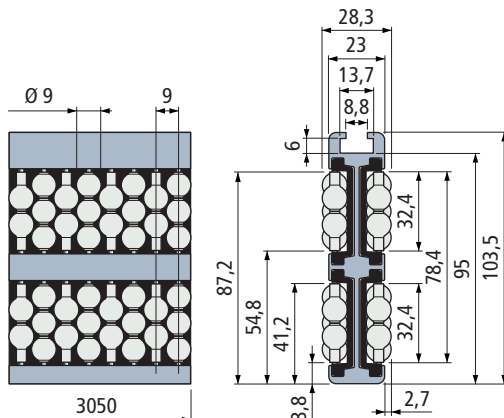
Part. S0369 - Connecting bar



### • Min. curvature radius Part. S0754



### ■ Pearls™ roller centre guide

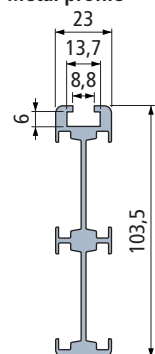


Pearl™ material	Code	Weight kg/m
Polyethylene PE ( Aubergine )	645183	2,90
Polyethylene PE ( white )	645193	

- Material : metal profile in anodized aluminium, rollers module in acetal POM ( black ), roller pins in ferritic stainless steel.
- Min. curvature radius : 750 mm.
- Standard packaging : strands 3,05 metres.
- Packaging : 2 strands.

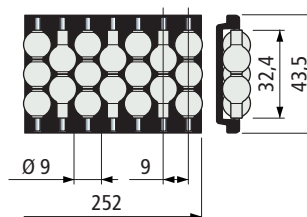
The roller side guides can be supplied with separated components.

### Metal profile



Length mm	Code
3050	607913
6100	607923

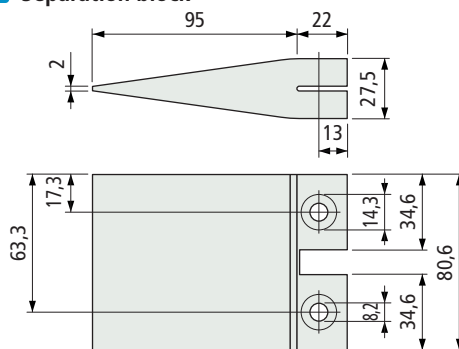
### Pearls™ module



Pearl™ material	Code
Polyethylene PE ( Aubergine )	644653
Polyethylene PE ( white )	644633

- Material : anodized aluminium.
- Weight : 1,70 Kg/m.
- Packaging : 1 strand.

### ■ Separation block



Code	Weight kg
613423	0,124

- Material : Polyethylene PE ( white ).
- Packaging : 2 pieces.

## Part. S0754



## Part. S0759



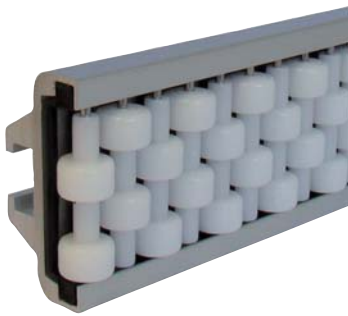
● Best choice

● Standard

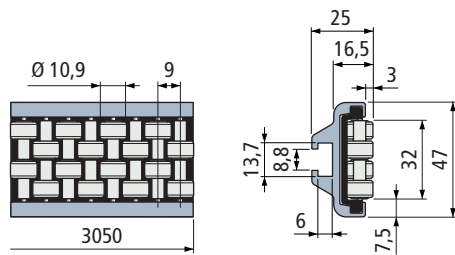
● On request : minimum quantity may apply. Consult our Customer Service for availability.

Item code for order = Part. + Code

Part. **S0856**



■ Roller side guides

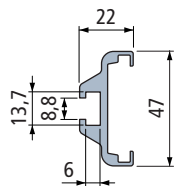


Rollers material	Code	Weight kg/m
Acetal POM ( white )	645203	1,20

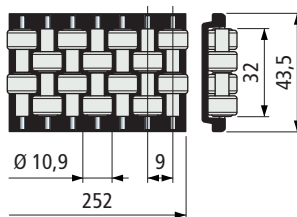
- Material : metal profile in anodized aluminium, rollers module in acetal POM ( black ), roller pins in ferritic stainless steel.
- Min. curvature radius : 250 mm.
- Standard packaging : strands 3,05 metres.
- Packaging : 2 strands.

The roller side guides can be supplied with separated components.

Metal profile



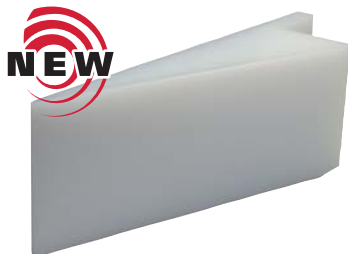
Roller module



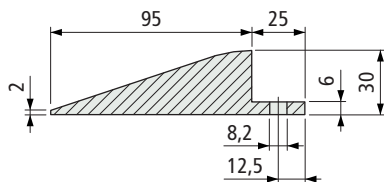
Length mm	Code	Roller material	Code
3050	607933	Acetal POM ( white )	644673
6100	607943		

- Material : anodized aluminium.
- Weight : 0,85 Kg/m.
- Packaging : 1 strand.

Part. **S0760**



■ Separation block



Code	Weight kg
613433	0,058

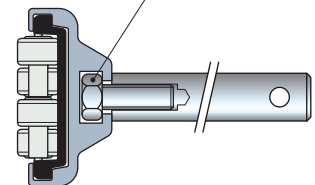
- Material : Polyethylene PE ( white ).
- Packaging : 2 pieces.

• Characteristics Part. S0856

- Self supporting structure.
- Anodized aluminium profile.
- Quick and easy installation by standard bolts.
- Can be used straight running and sideliflexing.

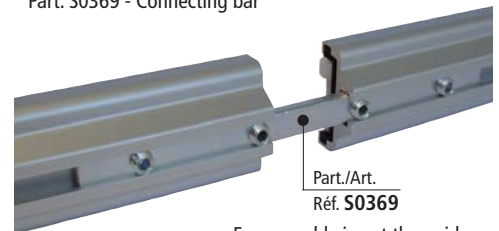
• Assembly Part. S0856

M8 hex head bolt



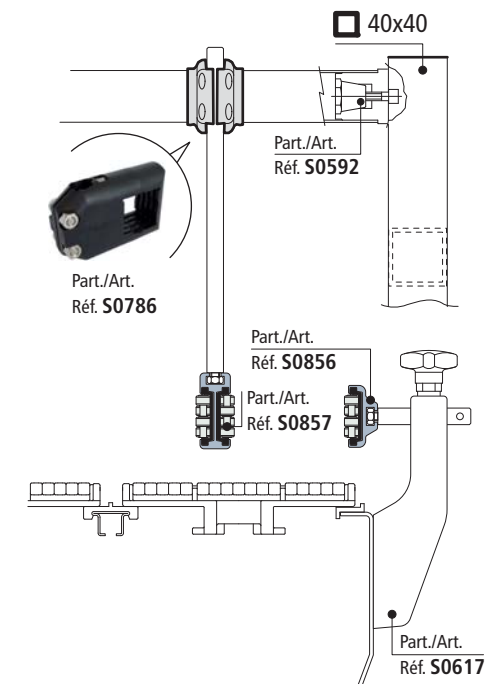
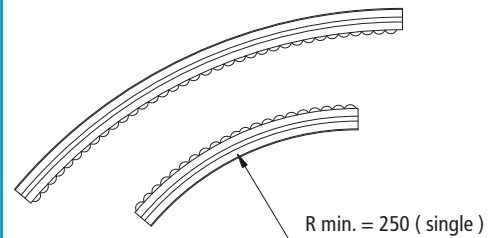
• Accessories

Part. S0369 - Connecting bar



For assembly insert the guides and tighten the set screw.

• Min. curvature radius Part. S0856



● Best choice

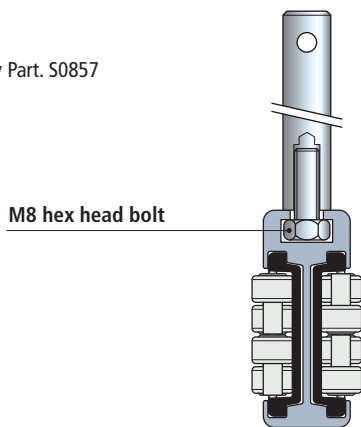
● Standard

● On request : minimum quantity may apply. Consult our Customer Service for availability.

Item code for order = Part. + Code

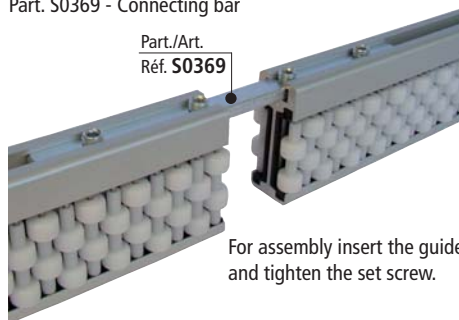
- **Characteristics Part. S0857**
  - Self supporting structure.
  - Anodized aluminium profile.
  - Quick and easy installation by standard bolts.
  - Can be used straight running and sideflexing.

• **Assembly Part. S0857**

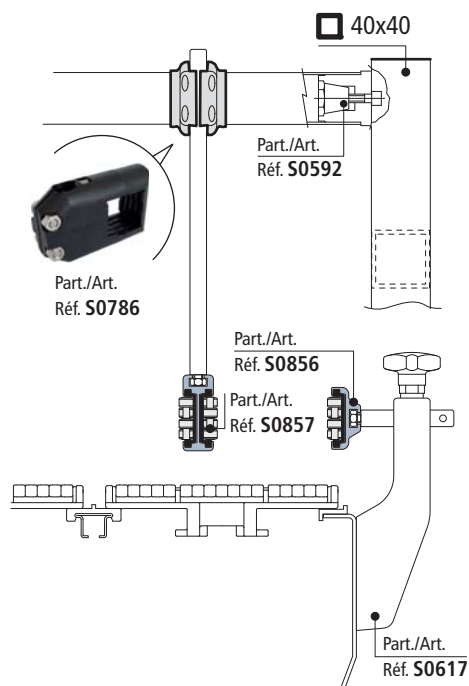
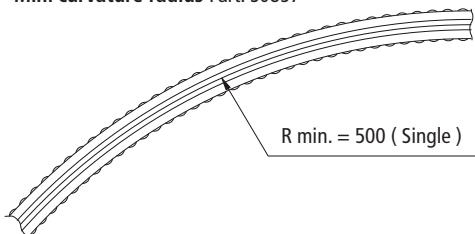


• **Accessories**

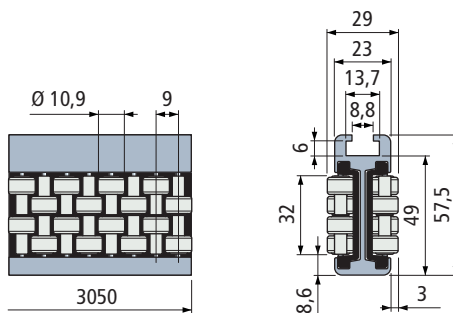
Part. S0369 - Connecting bar



• **Min. curvature radius Part. S0857**



■ **Roller centre guides**

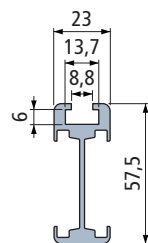


Rollers material	Code	Weight kg/m
Acetal POM ( white )	645223	1,75

- Material : metal profile in anodized aluminium, rollers module in acetal POM ( black ), roller pins in ferritic stainless steel.
- Min. curvature radius : 500 mm.
- Standard packaging : strands 3,05 metres.
- Packaging : 2 strands.

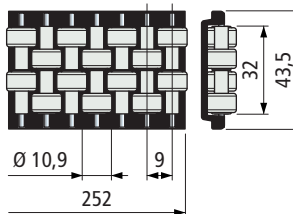
The roller side guides can be supplied with separated components.

**Metal profile**



Length mm	Code
3050	607893
6100	607903

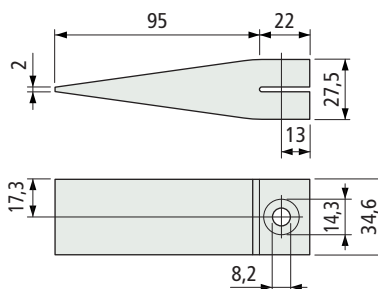
**Roller module**



Roller material	Code
Acetal POM ( white )	644673

- Material : anodized aluminium.
- Weight : 1,08 Kg/m.
- Packaging : 1 strand.

■ **Separation block**



Code	Weight kg
613413	0,063

- Material : Polyethylene PE ( white ).
- Packaging : 2 pieces.

Part. **S0857**



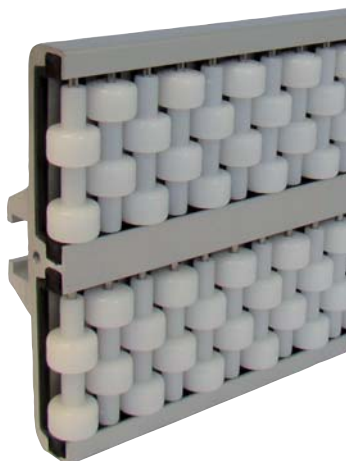
Part. **S0759**



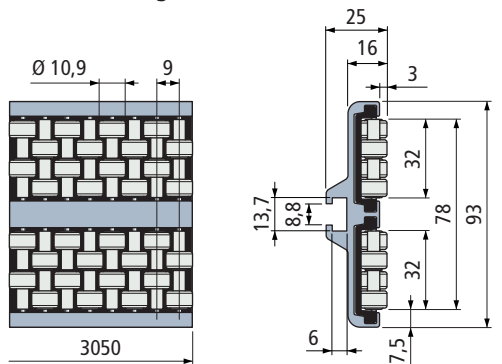
- **Best choice**
- **Standard**
- **On request** : minimum quantity may apply. Consult our Customer Service for availability.

Item code for order = Part. + Code

Part. **S0856**



Roller side guides

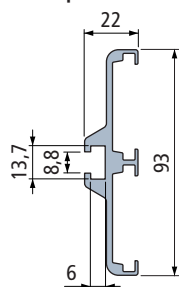


Rollers material	Code	Weight kg/m
Acetal POM ( white )	645213	2,00

- Material : metal profile in anodized aluminium, rollers module in acetal POM ( black ), roller pins in ferritic stainless steel.
- Min. curvature radius : 500 mm.
- Standard packaging : strands 3,05 metres.
- Packaging : 2 strands.

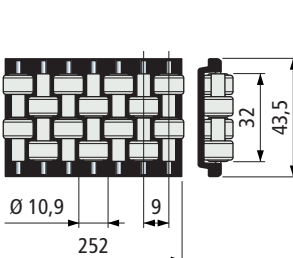
The roller side guides can be supplied with separated components.

Metal profile



Length mm	Code
3050	607953
6100	607963

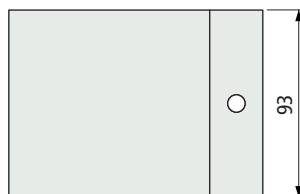
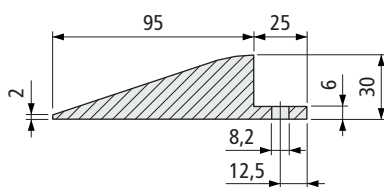
Roller module



Roller material	Code
Acetal POM ( white )	644673

- Material : anodized aluminium.
- Weight : 1,36 Kg/m.
- Packaging : 1 strand.

Separation block



Code	Weight kg
613443	0,120

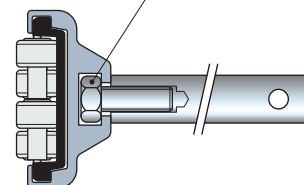
- Material : Polyethylene PE ( white ).
- Packaging : 2 pieces.

Characteristics Part. S0856

- Self supporting structure.
- Anodized aluminium profile.
- Quick and easy installation by standard bolts.
- Can be used straight running and sideliflexing.

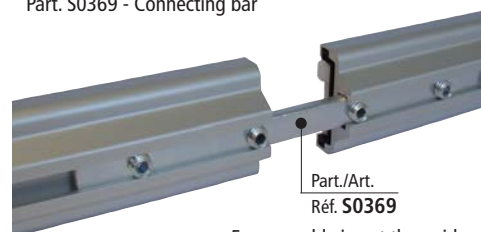
Assembly Part. S0856

M8 hex head bolt



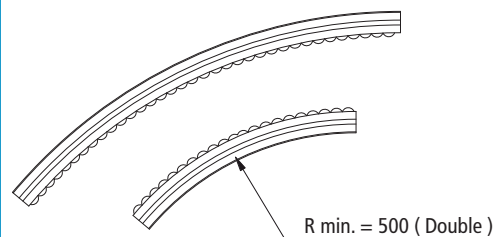
Accessories

Part. S0369 - Connecting bar



For assembly insert the guides and tighten the set screw.

Min. curvature radius Part. S0856



Part. **S0760**

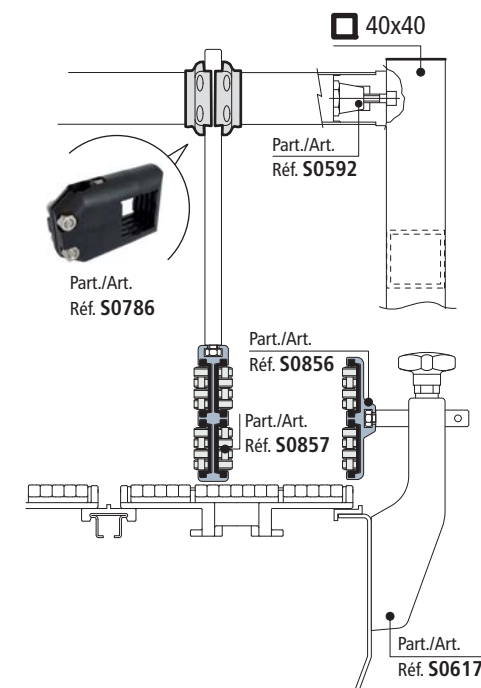


Best choice

Standard

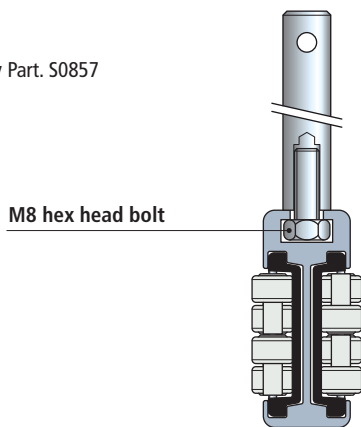
On request : minimum quantity may apply. Consult our Customer Service for availability.

Item code for order = Part. + Code



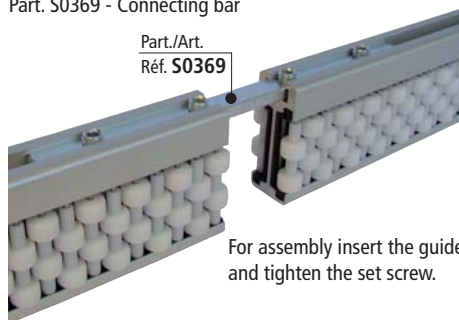
- **Characteristics Part. S0857**
  - Self supporting structure.
  - Anodized aluminium profile.
  - Quick and easy installation by standard bolts.
  - Can be used straight running and sideliflexing.

• **Assembly Part. S0857**

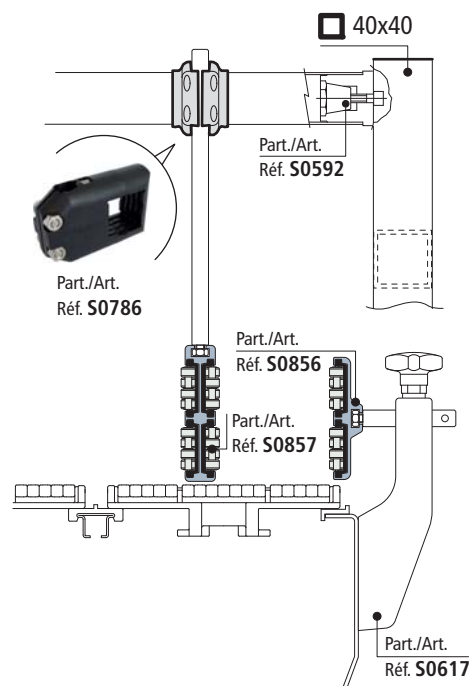
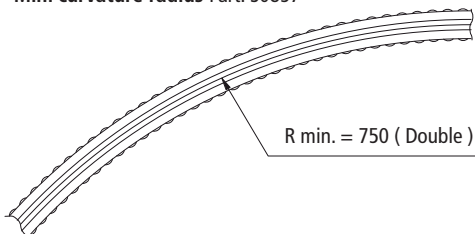


• **Accessories**

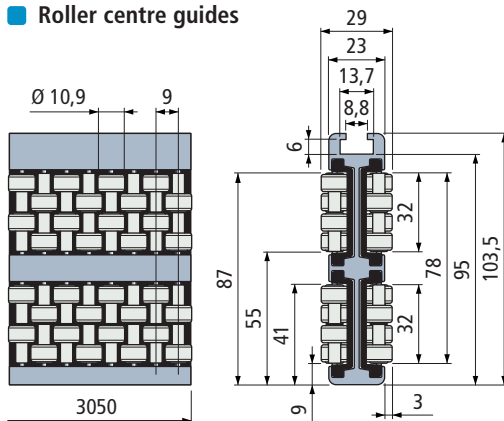
Part. S0369 - Connecting bar



• **Min. curvature radius Part. S0857**



■ **Roller centre guides**

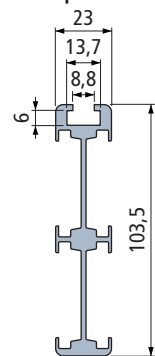


Rollers material	Code	Weight kg/m
Acetal POM ( white )	645233	3,00

- Material : metal profile in anodized aluminium, rollers module in acetal POM ( black ), roller pins in ferritic stainless steel.
- Min. curvature radius : 750 mm.
- Standard packaging : strands 3,05 metres.
- Packaging : 2 strands.

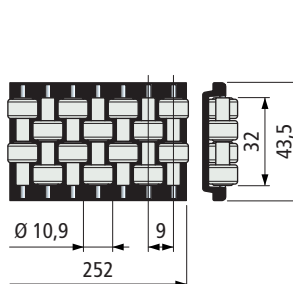
The roller side guides can be supplied with separated components.

**Metal profile**



Length mm	Code
3050	607913
6100	607923

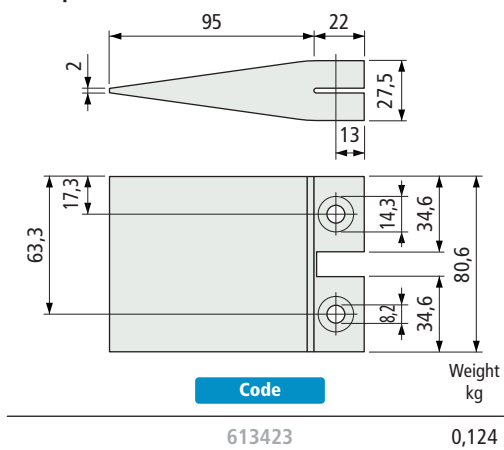
**Roller module**



Roller material	Code
Acetal POM ( white )	644673

- Material : anodized aluminium.
- Weight : 1,70 Kg/m.
- Packaging : 1 strand.

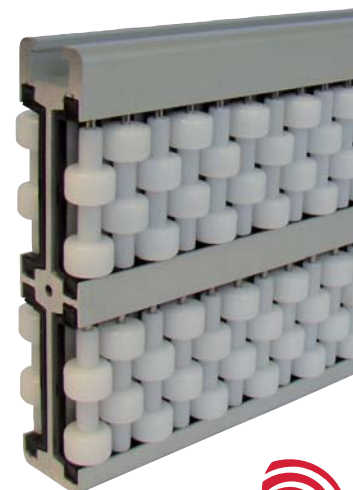
■ **Separation block**



Code	Weight kg
613423	0,124

- Material : Polyethylene PE ( white ).
- Packaging : 2 pieces.

**Part. S0857**



**Part. S0759**



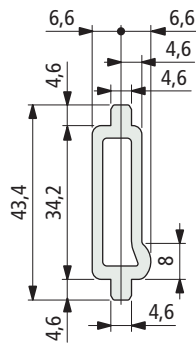
- **Best choice**
- **Standard**
- **On request** : minimum quantity may apply. Consult our Customer Service for availability.

Item code for order = Part. + Code

Part. **S0777**



■ Product Guide



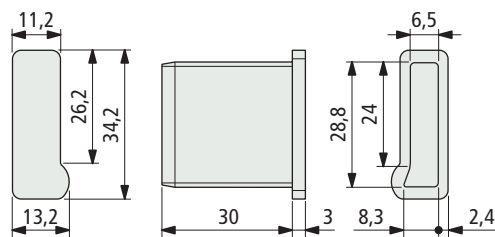
Guide material	Length mm	Code	Weight kg/m
PE ( Polyethylene white )	3050	613223	0,85
	6100	613233	

- Packaging : 1 strand.

Part. **S0829**



■ Closing caps



Material	Code	Weight kg
PE ( Polyethylene Black )	635393	0,10

- Packaging : 50 pieces.

• Assembly Part. S0777

Guide can be assembly on both sides.  
a ) configuration "label protection".  
b ) containers or packages handling.

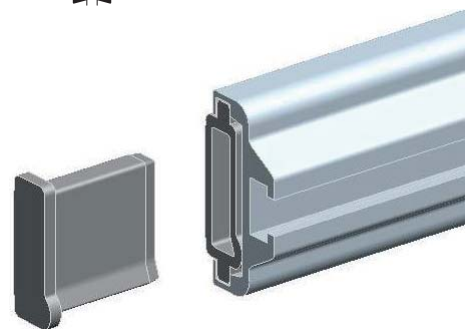


M8 hex head bolt

a

M8 hex head bolt

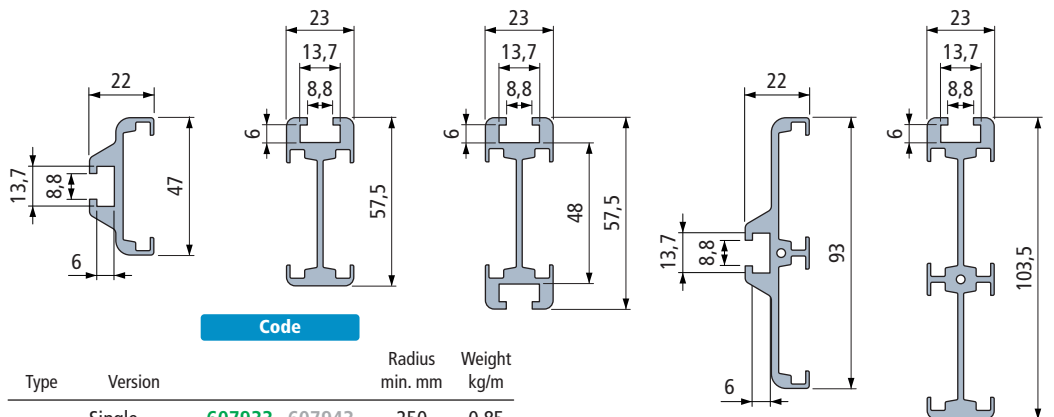
b



Part. **S0000**



■ Types of profile that can be used



Type	Version	Code	Radius min. mm	Weight kg/m
Lateral	Single	607933 607943	250	0,85
	Double	607953 607963	500	1,36
	Symmetric	689832 689992	500	1,24
Central	Single	607893 607903	500	1,08
	Double	607913 607923	750	1,70

- Material metal profile : anodized aluminium.  
- Packaging : 1 strand.



● Best choice

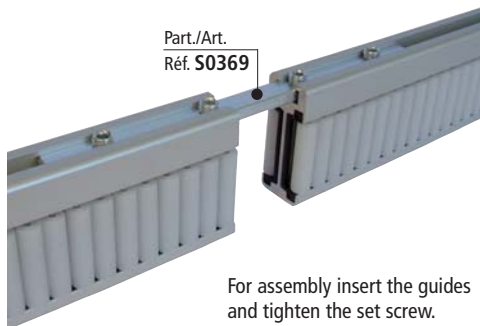
● Standard

● On request : minimum quantity may apply. Consult our Customer Service for availability.

Item code for order = Part. + Code

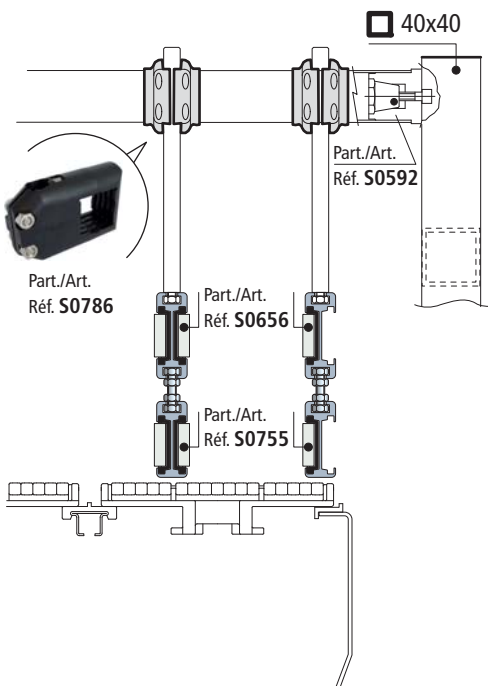
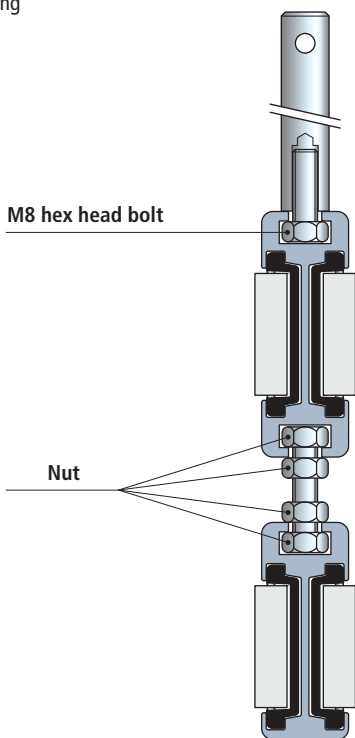
# Product - Guides

- Accessories  
Part. S0369 - Connecting bar

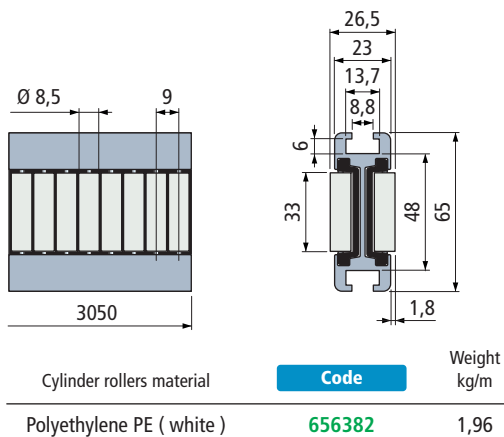


For assembly insert the guides and tighten the set screw.

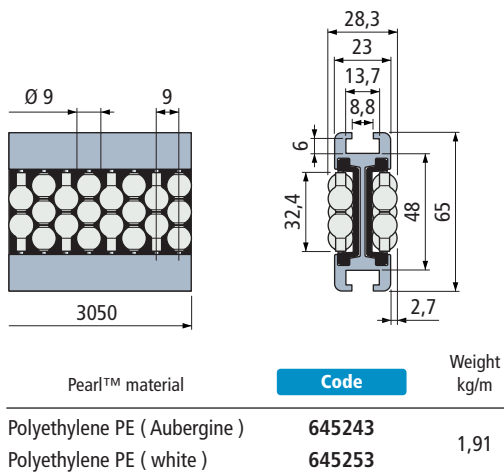
- Fixing



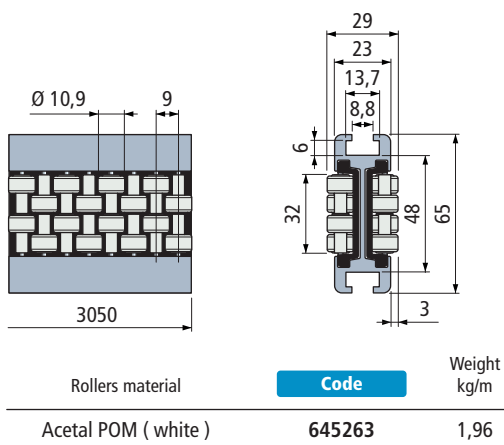
## Symmetric central guide



- Material : metal profile in anodized aluminium, rollers module in acetal POM ( black ), roller pins in ferritic stainless steel.
- Min. curvature radius : 500 mm.
- Standard packaging : strands 3,05 metres.
- Packaging : 2 strands.



- Material : metal profile in anodized aluminium, rollers module in acetal POM ( black ), roller pins in ferritic stainless steel.
- Min. curvature radius : 500 mm.
- Standard packaging : strands 3,05 metres.
- Packaging : 2 strands.



- Material : metal profile in anodized aluminium, rollers module in acetal POM ( black ), roller pins in ferritic stainless steel.
- Min. curvature radius : 500 mm.
- Standard packaging : strands 3,05 metres.
- Packaging : 2 strands.

## Part. S0656



- **Best choice**
- **Standard**
- **On request** : minimum quantity may apply. Consult our Customer Service for availability.

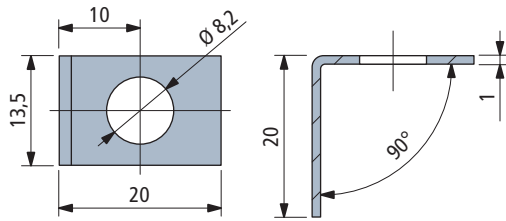
Item code for order = Part. + Code

Part. **S0788**

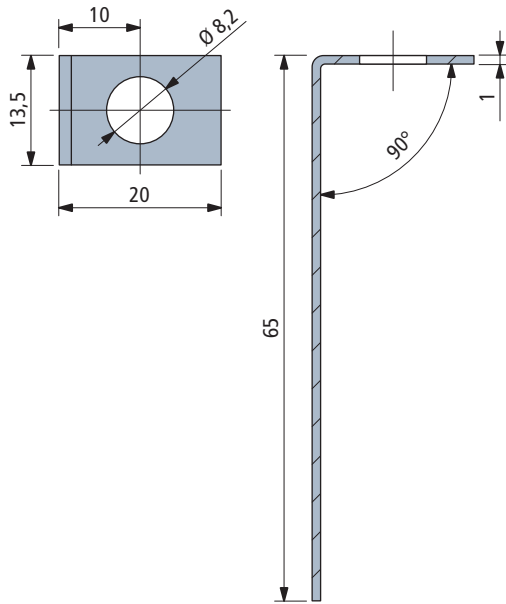


■ End stops for Pearl™ Roller Guide

Short version, for side guides single and double, and centre single



Long version, for centre guides double



Code

Short version	615503
Long version	615513

- Material : austenitic stainless steel.
- Packaging : 50 pieces.

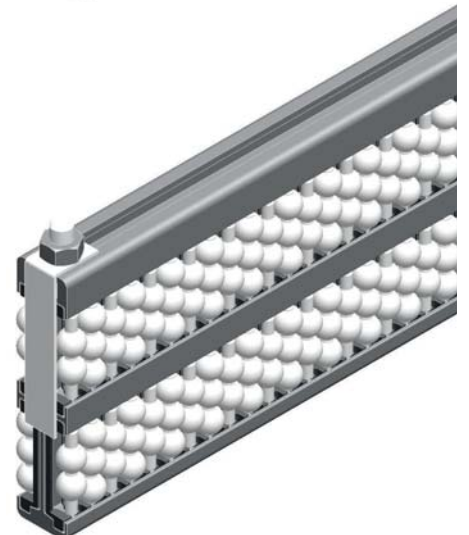
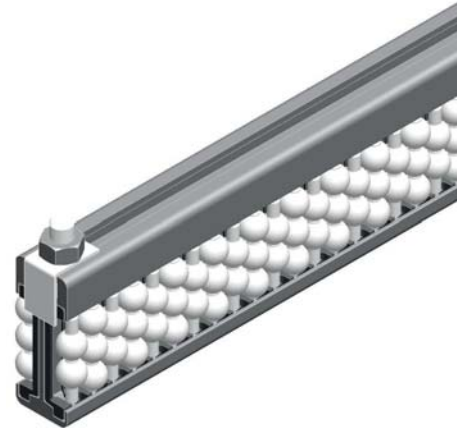
● Best choice

● Standard

● On request : minimum quantity may apply. Consult our Customer Service for availability.

Item code for order = Part. + Code

• Assembly Part. S0788





# World Class Customer Service

Rexnord is a global, multi-platform industrial company that serves a wide variety of mission-critical industries. Our diverser line of highly engineered power transmission products provide an array of key systems components including bearings, couplings gears, modular conveyor belting and industrial chain, all designed for the toughest applications. Customers worldwide have consistently relied on Rexnord's efficiency, knowledge and experience to deliver dependable solutions at the lowest total cost of ownership.

## WORLDWIDE CUSTOMER SERVICE

### AUSTRALIA

Rexnord Australia Pty. Ltd.  
Picton, New South Wales  
Phone: 61-2-4677-3811  
Fax: 61-2-4677-3812

### INDIA

Rexnord India Pvt Ltd  
Pune, India  
Phone: 91-20-20160888

### BRAZIL

Rexnord Correntes Ltda.  
Sao Leopoldo - RS  
Phone: 55-51-3579-8043  
Fax: 55-51-3579-8049

### MEXICO

Rexnord FlatTop  
Toll-Free Phone: 1-888-808-7787  
Fax: 1-262-376-4720

### CANADA

Rexnord Canada Ltd.  
Scarborough, Ontario  
Phone: 1-416-297-6868  
Fax: 1-416-297-6873

### UNITED STATES

Customer Service  
Phone: 1-866-REXNORD  
(1-866-739-6673)  
Fax: 1-614-675-1898  
E-mail: [rexnordcs\(state\)@rexnord.com](mailto:rexnordcs(state)@rexnord.com)  
Example: [rexnordcsohio@rexnord.com](mailto:rexnordcsohio@rexnord.com)

### CHINA

Rexnord China  
Shanghai  
Phone: 86-21-62701942  
Fax: 86-21-62701943

### Rexnord FlatTop North America

Grafton, Wisconsin  
Phone: 1-262-376-4700  
Fax: 1-262-376-4720

### FLATTOP EUROPA

Rexnord FlatTop Europe b.v.  
's-Gravenzande, The Netherlands  
Phone: 31-174-445-111  
Fax: 31-174-445-222

### Rexnord International - Power Transmisson

Milwaukee, Wisconsin  
Phone: 1-414-643-2366  
Fax: 1-414-643-3222  
E-mail: [international2@rexnord.com](mailto:international2@rexnord.com)

After Hours/Emergency Phone:  
31-174 445 112

### ALL COUNTRIES NOT LISTED

Rexnord FlatTop Europe b.v.  
's-Gravenzande, The Netherlands  
Phone: 31-174-445-111  
Fax: 31-174-445-222

Rexnord Marbett S.r.L.  
Correggio (RE), Italy  
Phone: 39-0522-639333  
Fax: 39-0522-637778

After Hours/Emergency Phone:  
31-174 445 112

RMCC Deutschland Kette GmbH  
Phone: 0800-588-8083  
Fax: 0800-588-8084

Rexnord Flattop France  
Phone: 0805-540-444  
Fax: 0805-540-555



[www.rexnord.com](http://www.rexnord.com)  
[www.rexnordflattop.com](http://www.rexnordflattop.com)

P000002323 ( October 2011 )  
Made and printed in Italy

