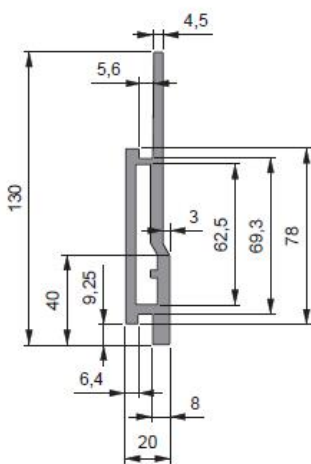


NUEVA BARANDILLA PART. S0887

Rexnord se complace en presentar una barandilla para guiado lateral con altura 130 mm. y uso con una pletina de 60x6 mm., que otorga rigidez al sistema. La sujeción al transportador se hace mediante las mordazas estándar Part. S0190 / S0184.

Part. S0887

■ Guide rail (extra-large)



Material	Length metres	Code	Weight kg/m
Black	3	655923	1,20
	6	655933	

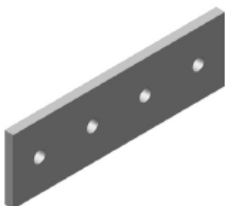
- Material: polyethylene PE 500.000.
- Min. curvature radius: 400 mm.
- Linear expansion coefficient: $2,5 \times 10^{-4} \text{ } ^\circ\text{C}^{-1}$. Calculation of thermal expansion see Technical information.
- Packaging: 30 metres (in 3 m length). 60 metres (in 6 m length).

- Accessories:

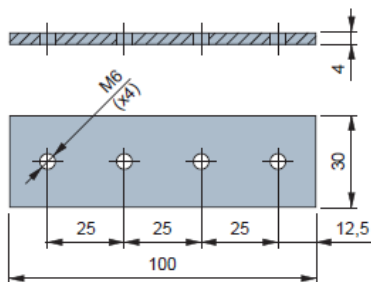


Accessories

Part. S0000



■ Connecting bar

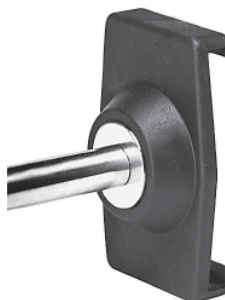


Material	Code	Weight kg
Zinc plated steel	655973	0,10

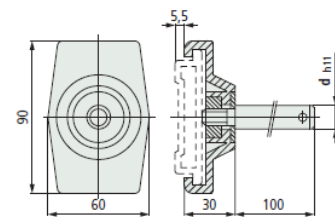
- Material: Connecting bar and fixing screws in austenitic stainless steel.
- State of supply: complete with fixing screws.
- Standard packaging: 1 piece.

- Best Seller
- Standard
- On request: minimum quantity may apply. Consult our Customer Service for availability.

Part. S0190



■ Guide-rail clamp



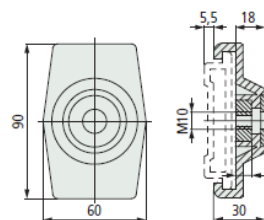
pin dia. d mm	Code	Weight kg
12	55741	0,18
14	55751	0,22
16	55761	0,25

- Material : guide rail clamp in reinforced polyamide PA FV (black).
- Pin in austenitic stainless steel. Washer in austenitic stainless steel. Nut in nickel plated brass.
- Packaging : 50 pieces.
- Suitable to use in curves also.

Part. S0184



■ Guide-rail clamp

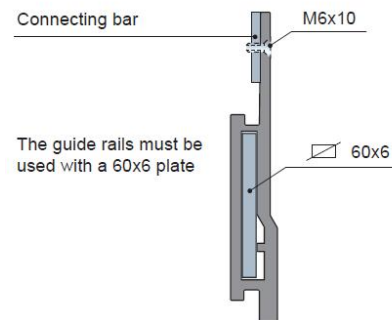
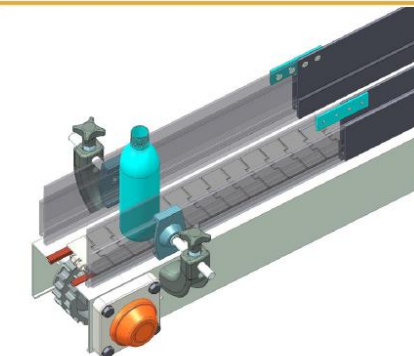


Code	Weight kg
54961	0,09

- Material : guide rail clamp in reinforced polyamide PA FV (black). Washer in austenitic stainless steel. Nut in nickel plated brass.
- Packaging : 50 pieces.
- Suitable to use in curves also.

- Best choice
- Standard
- On request : minimum quantity may apply. Consult our Customer Service for availability.

- Suitable to use in curves also.



The guide rails must be used with a 60x6 plate